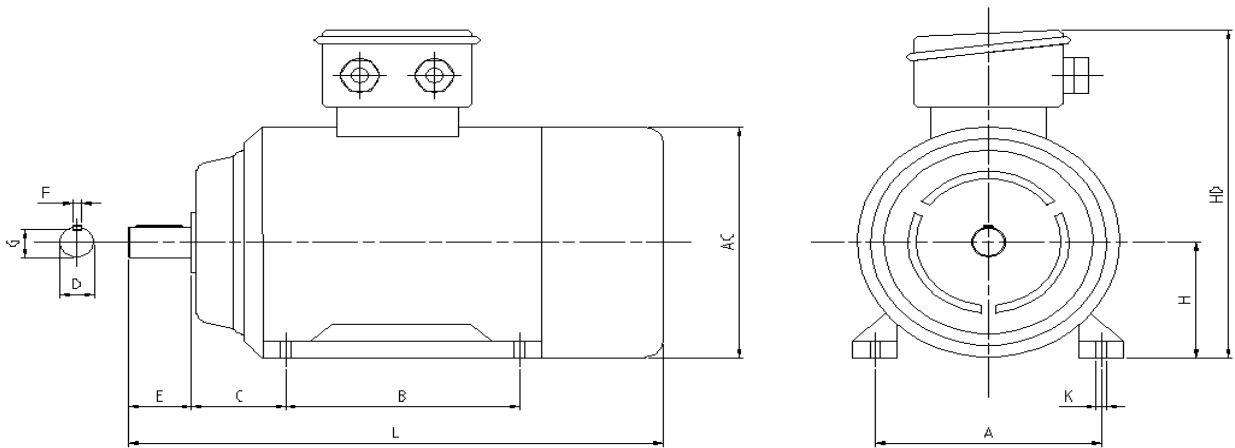


AC 3-Phase Electrical Squirrel Cage Motors -- MSE3 SERIES

FORNITORE FOURNISSEUR SUPPLIER	E.M.C.	GRANDEZZA & TIPO TAILLE & TYPE SIZE & TYPE	MSE3-112M2	EFFICIENZA EFFICENCY EFFICACITÉ	IE 3
POTENZA NOMINALE PUISSANCE NOMINALE NOMINAL POWER	4,00 kW	POTENZA NOMINALE PUISSANCE NOMINALE NOMINAL POWER	5,5 Hp	VELOCITA' VITESSE SPEED	2.905 Rpm
TENSIONE TENSION RATED VOLTAGE	230 400 V	FREQUENZA FREQUENCE FREQUENCY	50 Hz	CARCASSE BODY CARCASSE	ALUMINUM
CORRENTE NOMINALE COURANT NOMINAL RATED CURRENT	12,8 7,4 A	COPPIA NOMINALE COUPLE NOMINAL RATED TORQUE	13,15 Nm	PESO POIDS WEIGHT	34 kG
SOVRATEMPERATURA ECHAUFFEMENT TEMPERAURE RISE	B	CLASSE ISOLAMENTO CLASSE ISOLATION INSULATION CLASS	F	TEMP. AMBIENTE TEMP. AMBIANCE AMBIENT TEMP.	40 °C
Ma / Mn Md / Mn Ms / Mn	1,8	Mmax / Mn Mmax / Mn Mmax / Mn	2,9	la / ln ld / ln ls / ln	8
FATTORE DI POTENZA FACTEUR de PUISSANCE POWER FACTOR	0,88	RENDIMENTO RENDEMENT EFFICIENCY	88,1 %	SERVIZIO SERVICE SERVICE	S 1
FORMA COSTRUTTIVA FORME MOUNTING POSITION	B 3	PROTEZIONE IP PROTECTION IP ENCLOSURE IP	55	TROPICALIZZATO TROPICAL TROPICALISE'	NO
CAPPELLO PARAPIOGGIA DARIN COVER PARA - PLUIE	NO	SCARICO CONDENSA DRAIN HOLE TROU DE POURGE	NO	VERNICIATURA PAINTING PEINTURE	Ral 5010 Blue
TIPO CUSCINETTO TYPE de ROULEMENT BEARINGS TYPE	→	Lato Comando Cote Accouplement Drive End Side	6306 2RS	Lato Opposto Cote Opposée Non Drive End Side	6306 2RS
LUBRIFICAZ. GRASSO LUBRIFICATION GRAISSE LUBRIFICATION GREASE	--	ORE HEURES HOURS	--	RESIST.ANTICONDENSA RESIST.de RECHAUFFAGE SPACE HEATERS	-- V -- W
PROTEZIONE TERMICA PROTECTION THERMIQUE THERMAL PROTECTION	---	CUSCINETTO ISOLATO INSOLATED BEARING ROULEMENT ISOLEE	NO	VENTILAZIONE ASSISTITA VENTILATION FORCEE' FORCES VENTIALTION	-- kW -- V -- A
SENSO DI ROTAZIONE DIRECTION OF ROTATION SENSE DE ROTATION	CW / CCW	ENCODER ENCODER CODEUR	NO	NORME NORMES STANDARD	IEC & CE



MOTOR DIMENSION - FRAME SIZE H								112
D	E	F	G	C	A	B	AC	L
28	60	8	31	70	190	140	240	400
N	P	M	LA	T	S	K	AD	HD
--	--	--	--	--	--	12	--	240

NOTE

1)	--
2)	--
3)	--

EMC ITALY reserves the right to change the data in order to improve its product without prior notice. Version updated August 2015